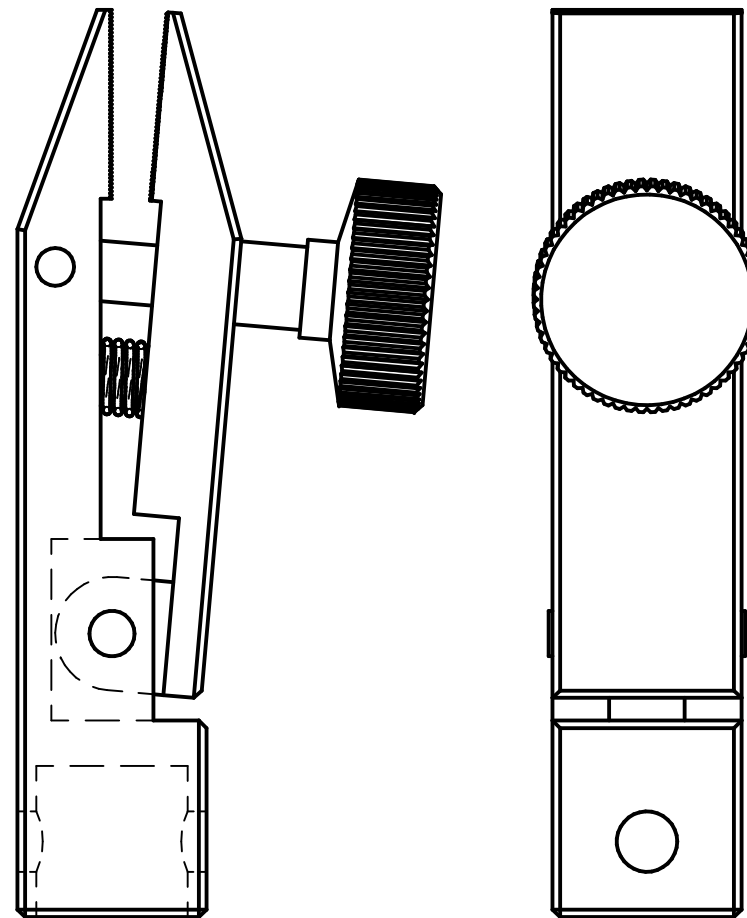


ALL DIMENSIONS ARE IN MILLIMETRES
FOLLOWED BY INCHES: MM (IN")

DRAWING IS INDICATIVE ONLY



THS470 Small Vice Grip

1:1 @ A3

