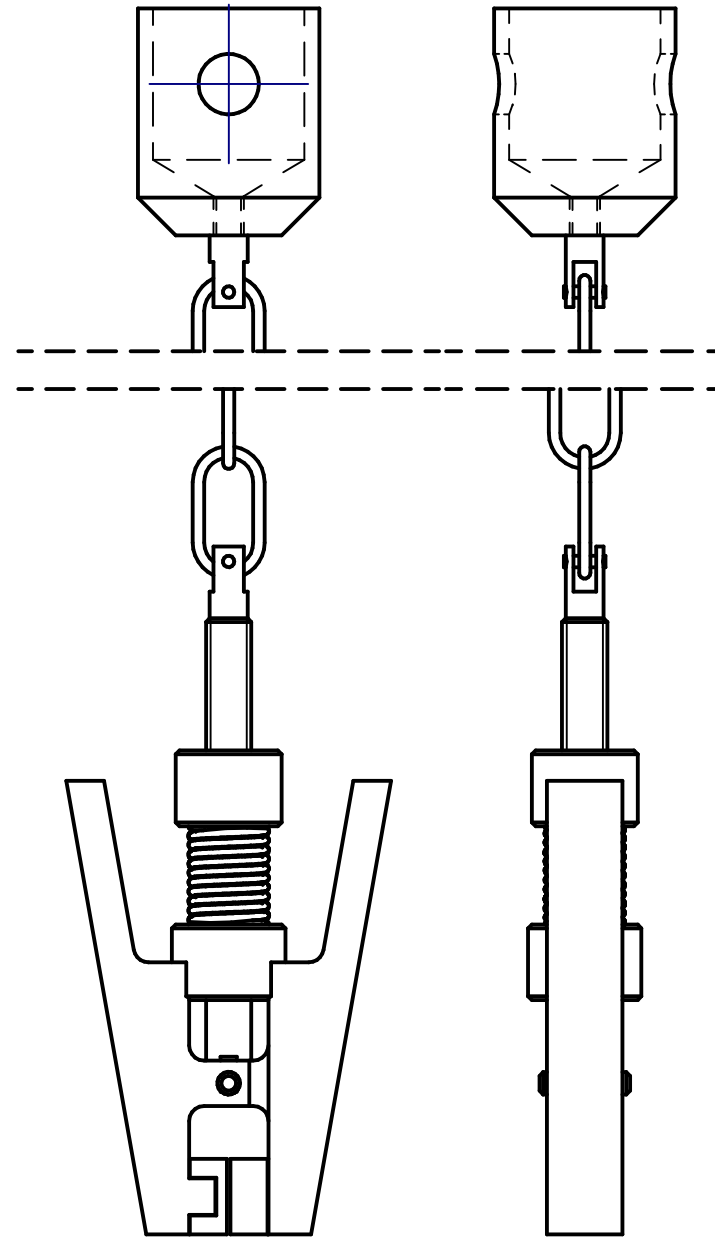


ALL DIMENSIONS ARE IN MILLIMETRES  
FOLLOWED BY INCHES: MM ( IN" )



DRAWING APPLIES TO PT NO:  
TH205k & TH205k-F

TH205k Pincer Grip with Spring

1:1 @ A3

