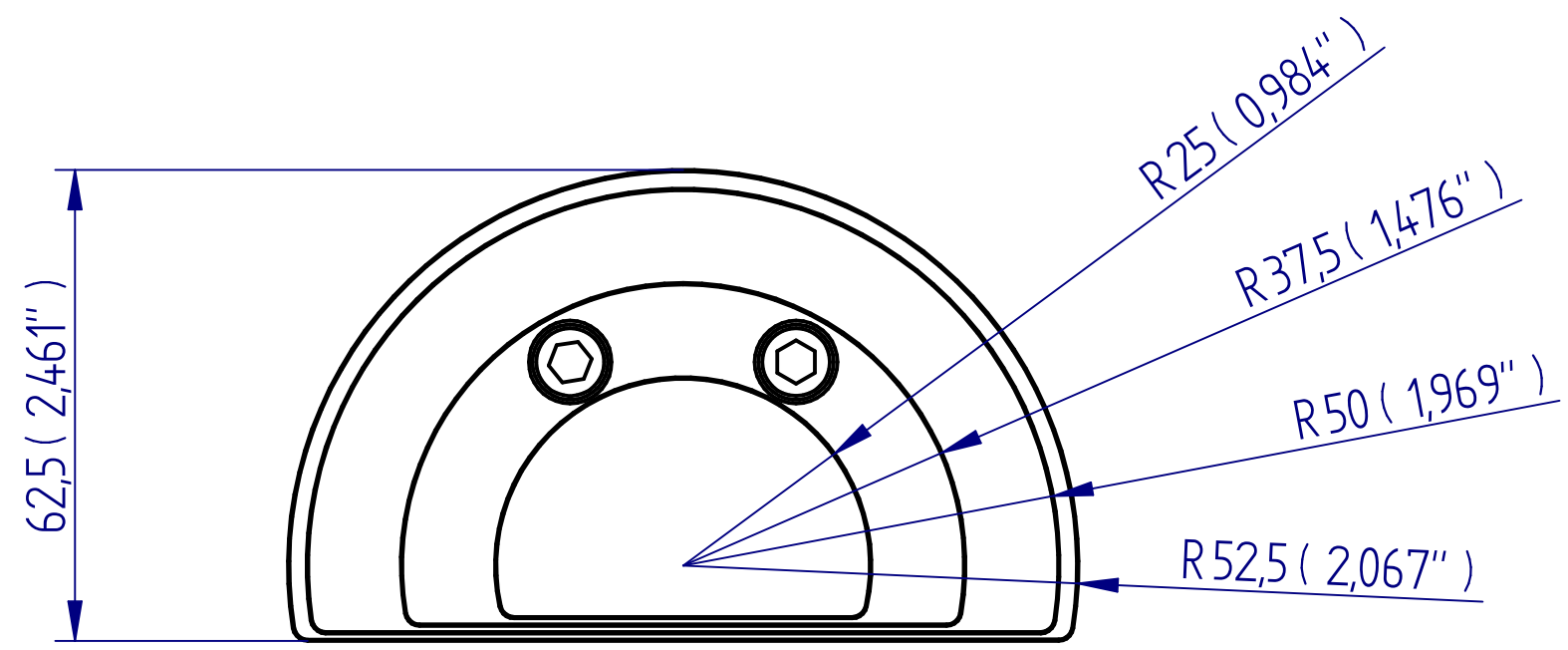
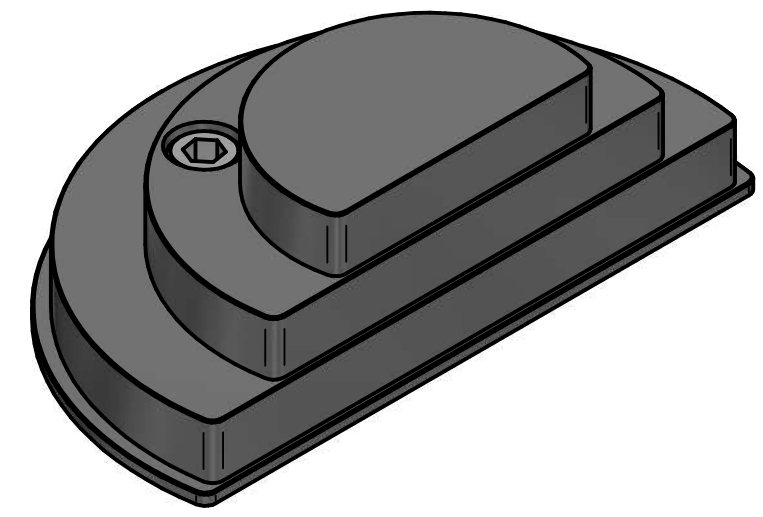
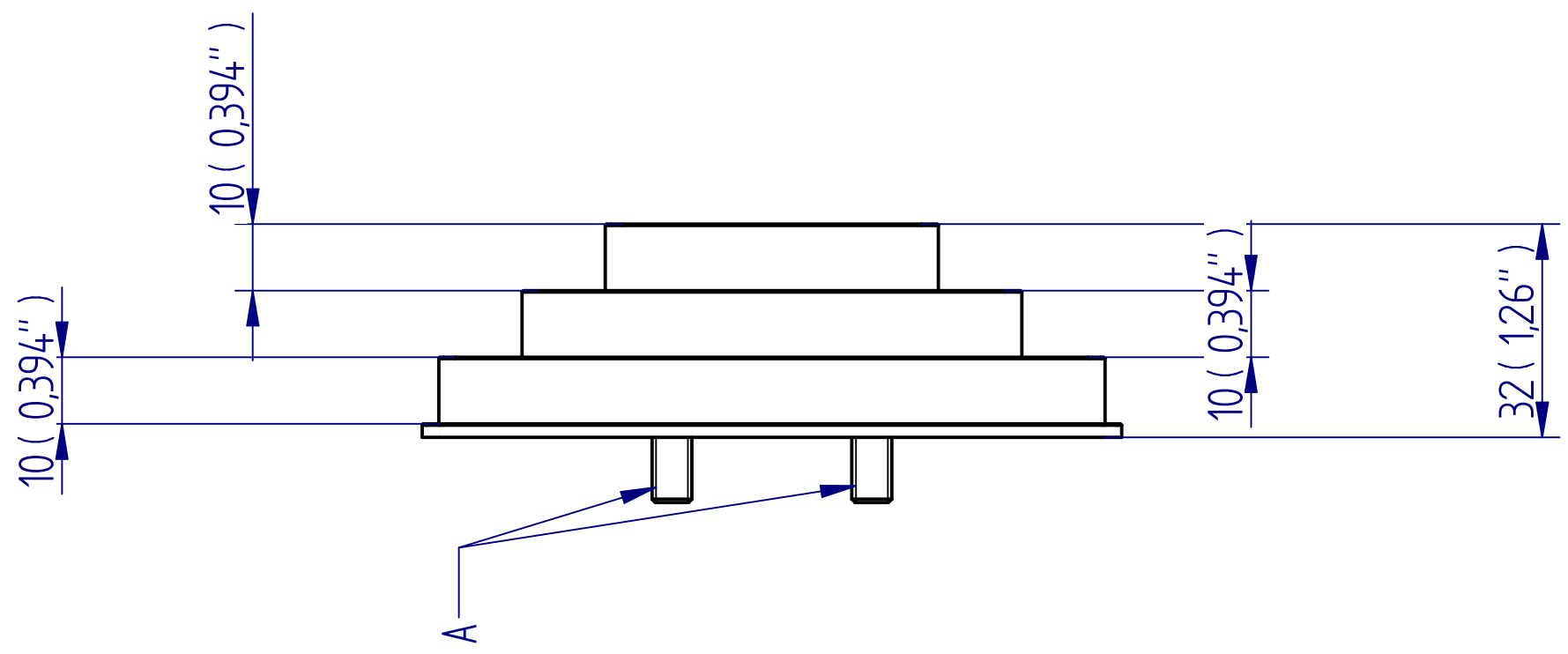


ALL DIMENSIONS ARE IN MILLIMETRES
FOLLOWED BY INCHES: MM (IN")



432-653 - TCT - CABLE TIE ANVIL

1:1 @ A3

